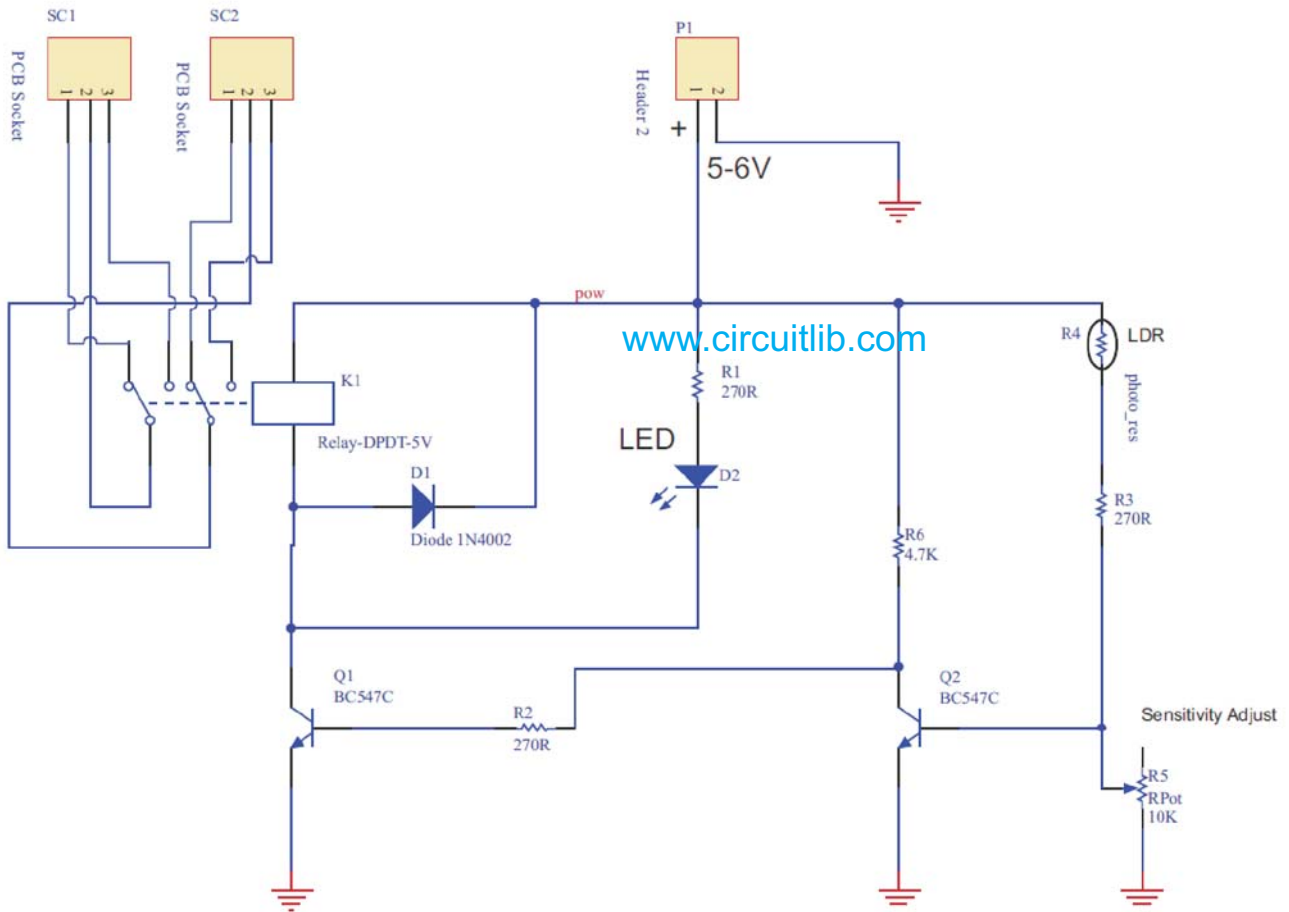


Simple Photo Switch



Notes: All resistors are 1/4W, carbon, 5% tolerance type.

Simple Photo Switch

PCB & Components Placement

