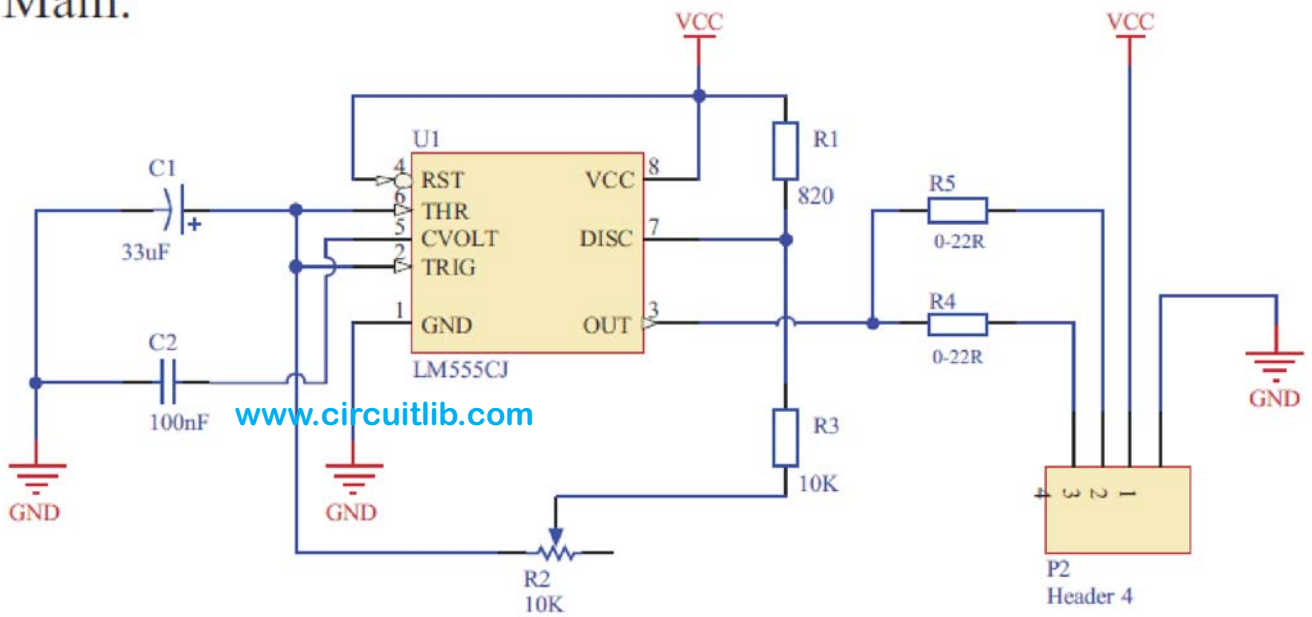


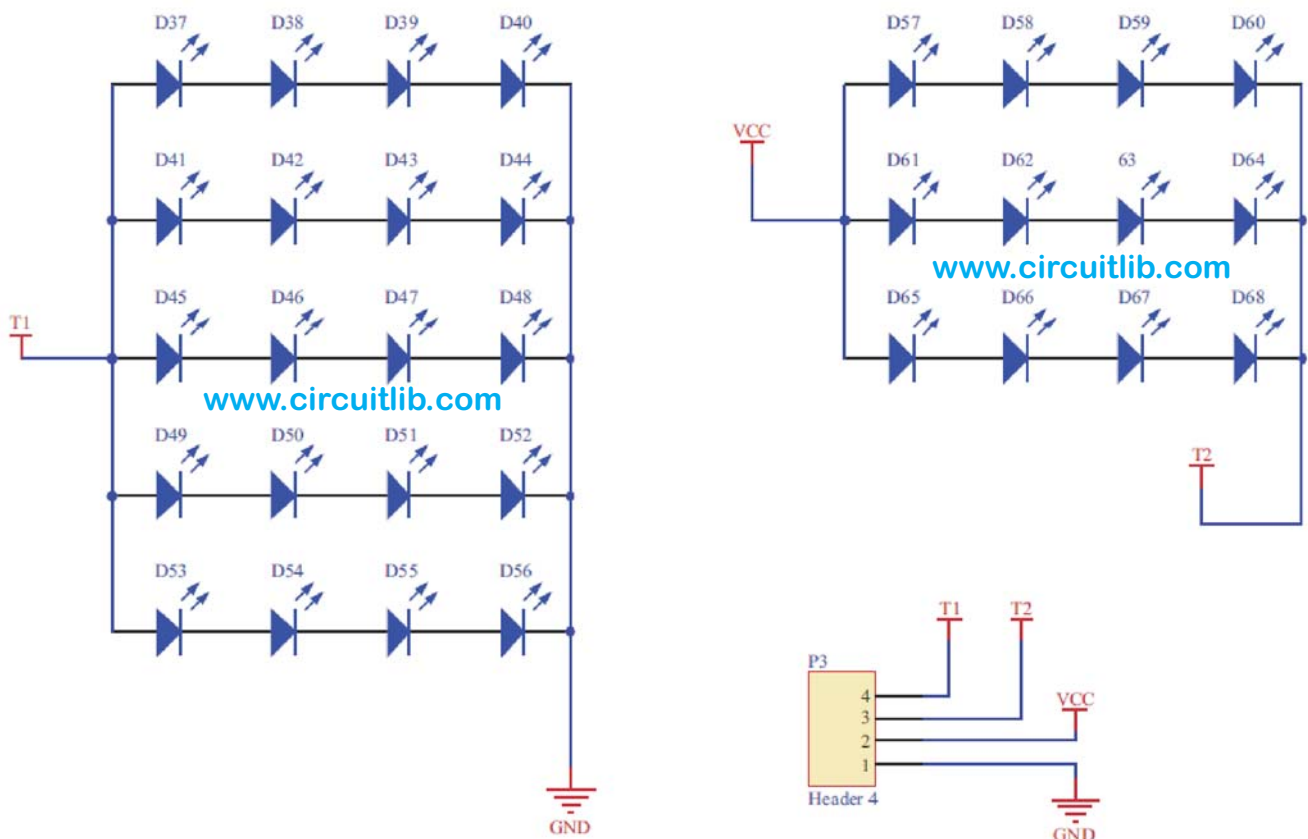
Flashing Heart

Main:

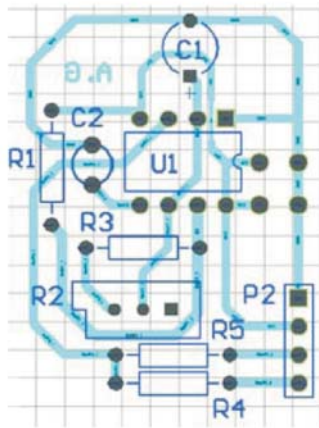


R4 and R5 value, depends on LED type.

Heart:



Main Board:



Heart Board:

